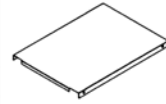




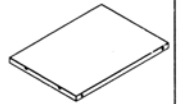
Back Plate:1Pc



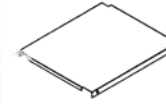
Door Frame:1Pc



Bottom plate:1pc



Top Plate:1Pc



Middle plate:1pc



Hanging Rod:2Pcs

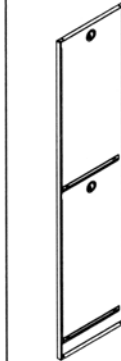


Key:2Pcs



Self-tapping Screw(5x12):10Pcs

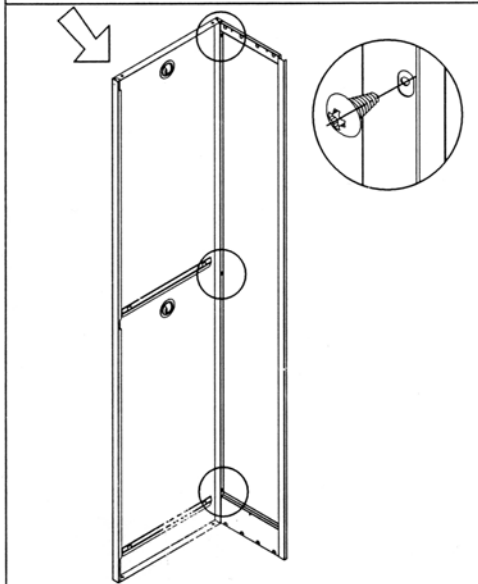
www.blax.hu



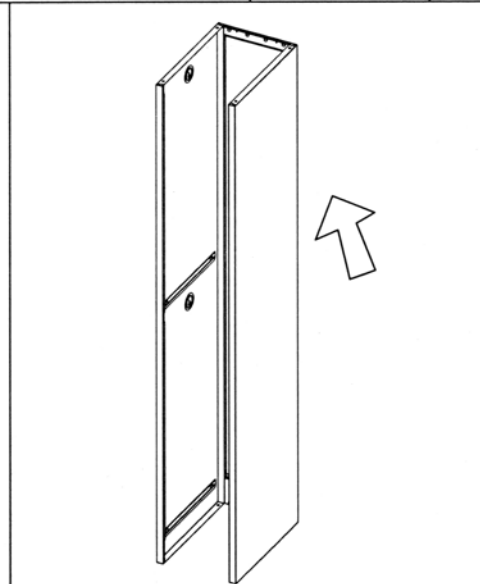
Side Plate (Left):1Pc



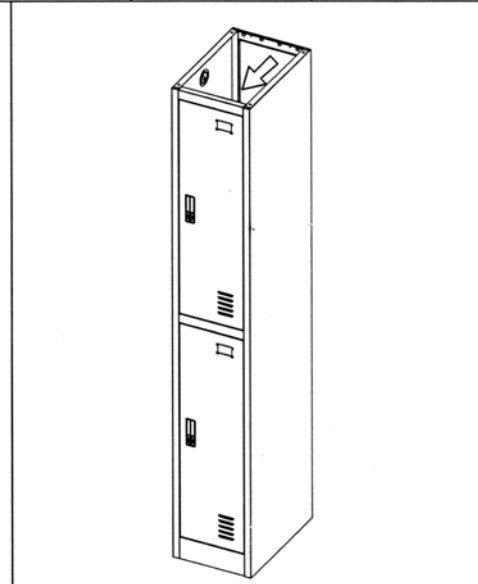
Side Plate (Right):1Pc



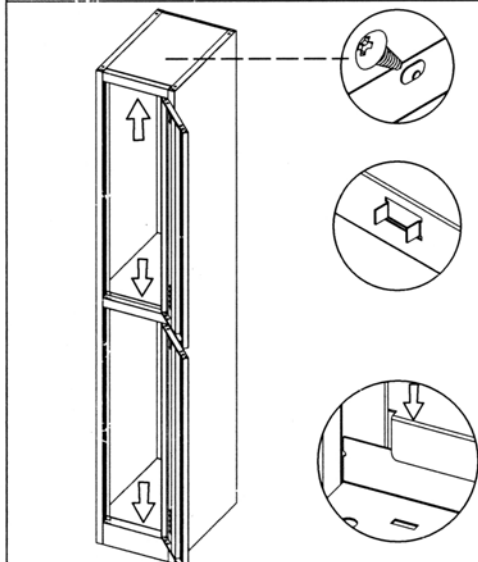
① Bolt the side plate and back plate with self-tapping screws(5x12)



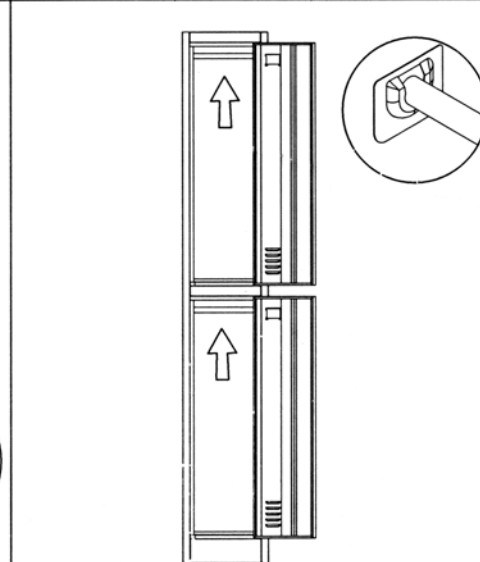
② Bolt the other side plate in the same way as the first step



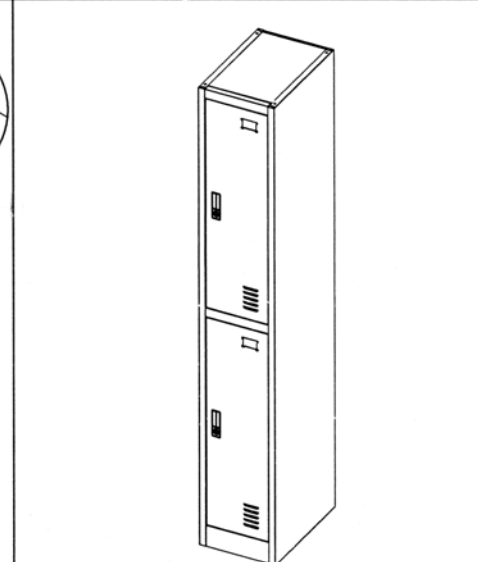
③ Fix the door frame onto both of the side plates



④ Install the top plate ,bottom plate and middle plate as the sign



⑤ Install the hanging rod.



⑥ Adjust each part till fit well after installation.